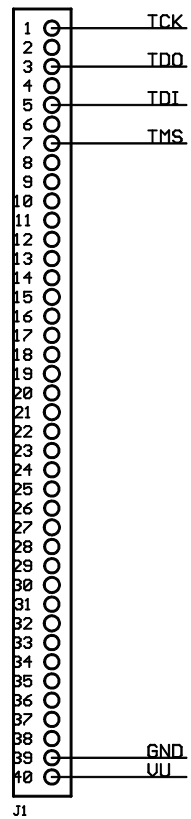
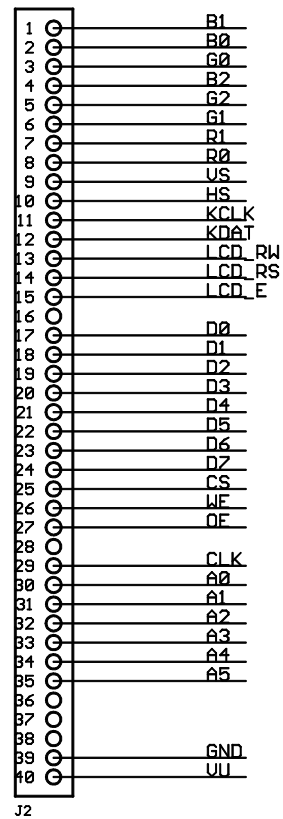


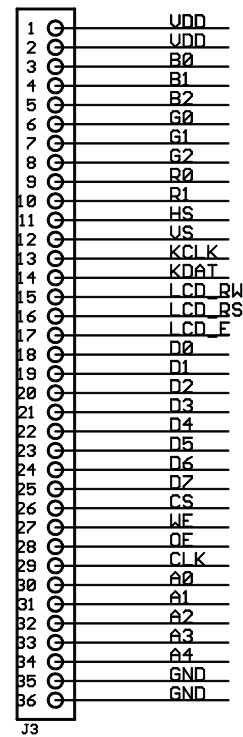
Connector A



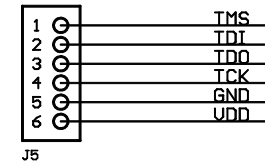
Connector B



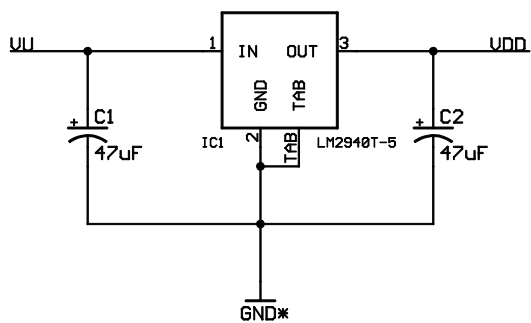
Test Point Header



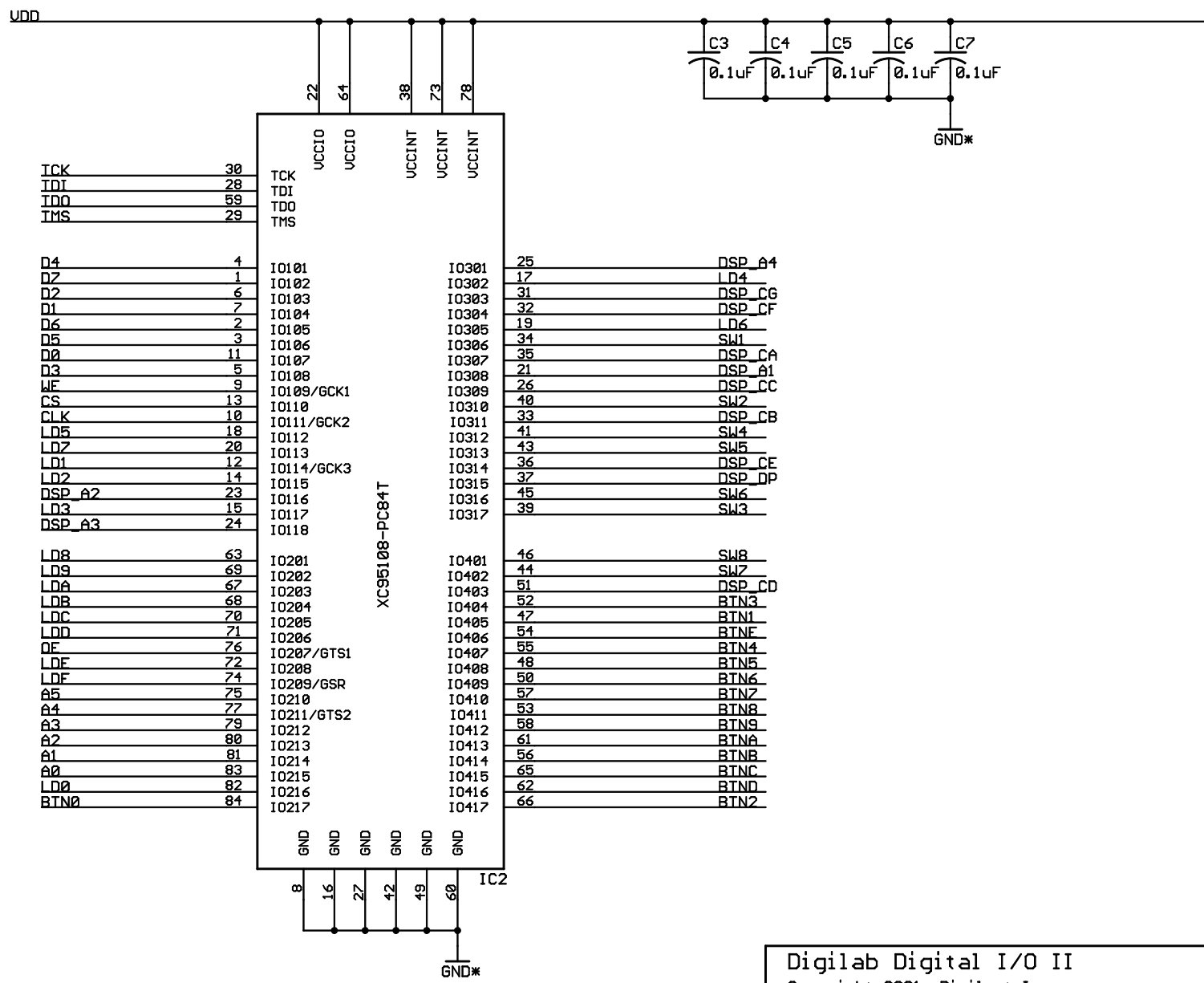
JTAG Header



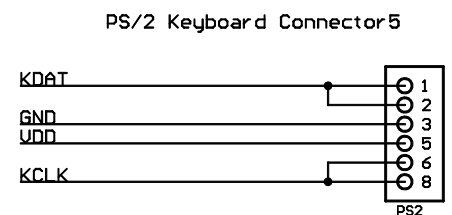
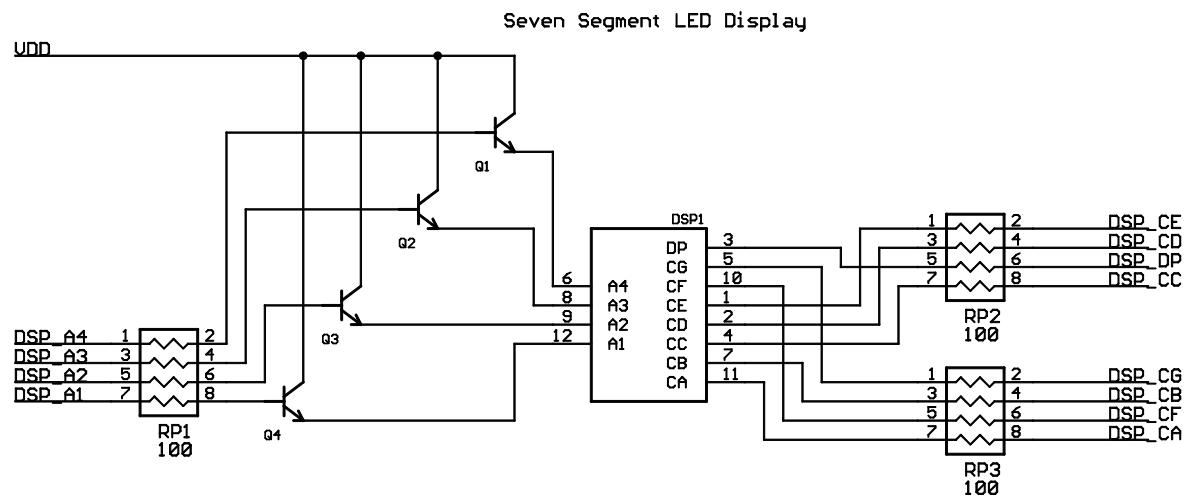
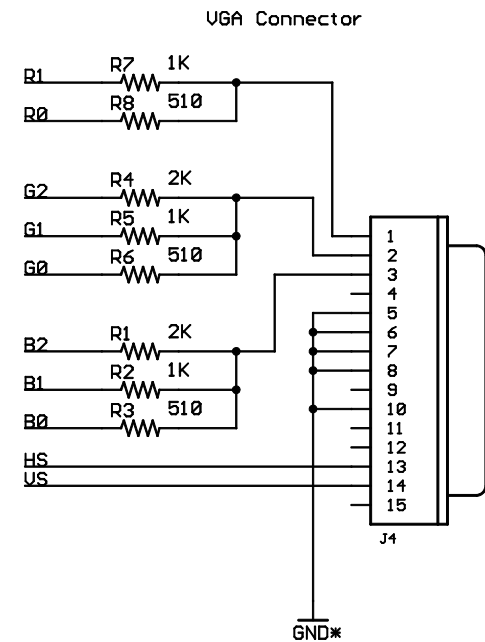
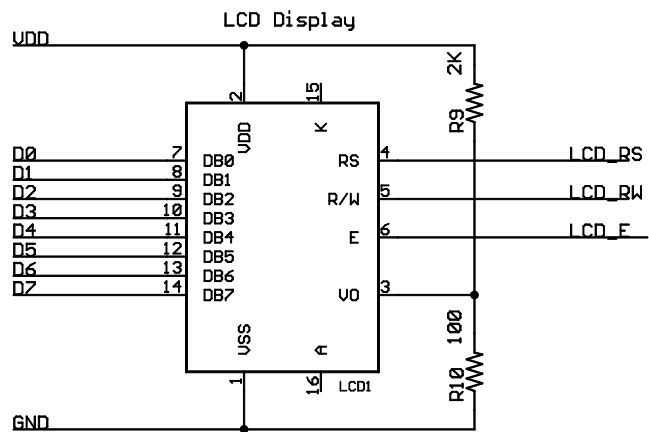
Power Supply



Digilab Digital I/O II	
Copyright 2001, 2002, Digilent Inc.	
TITLE: DlabDio2	Author: NEA
Document Number: PB-500-005	Rev: C
Release Date: 02/07/2002	Sheet: 1/5



Digilab Digital I/O II Copyright 2001, Digilent Inc.	
TITLE: DlabDio2	Author: NEA
Document Number: PB-500-005	Rev: C
Release Date: 02/07/2002	Sheet: 2/5



Digilab Digital I/O II  
 Copyright 2001, Digilent Inc.

TITLE: DlabDio2

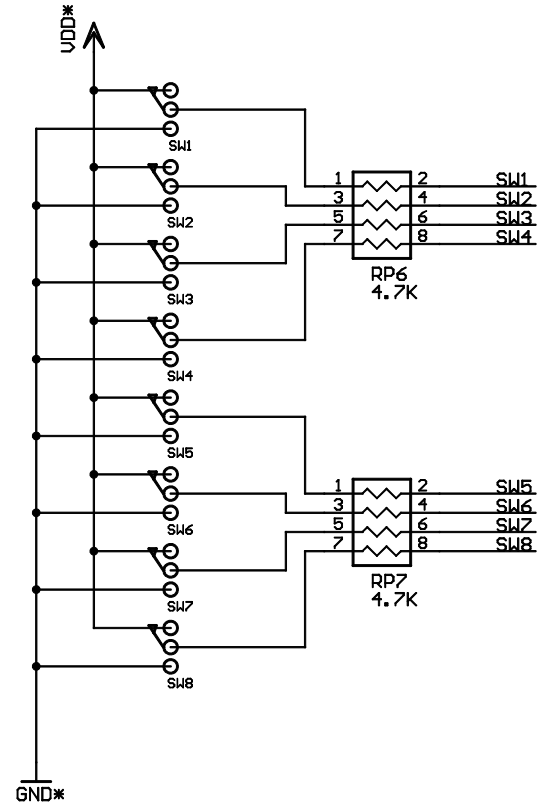
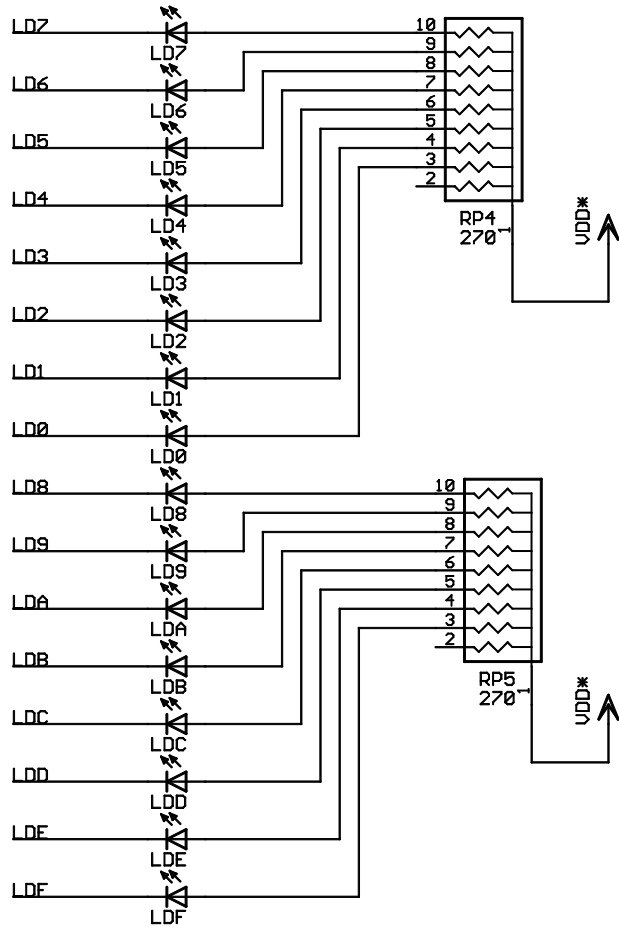
Author: NEA

Document Number: PB-500-005

Rev: C

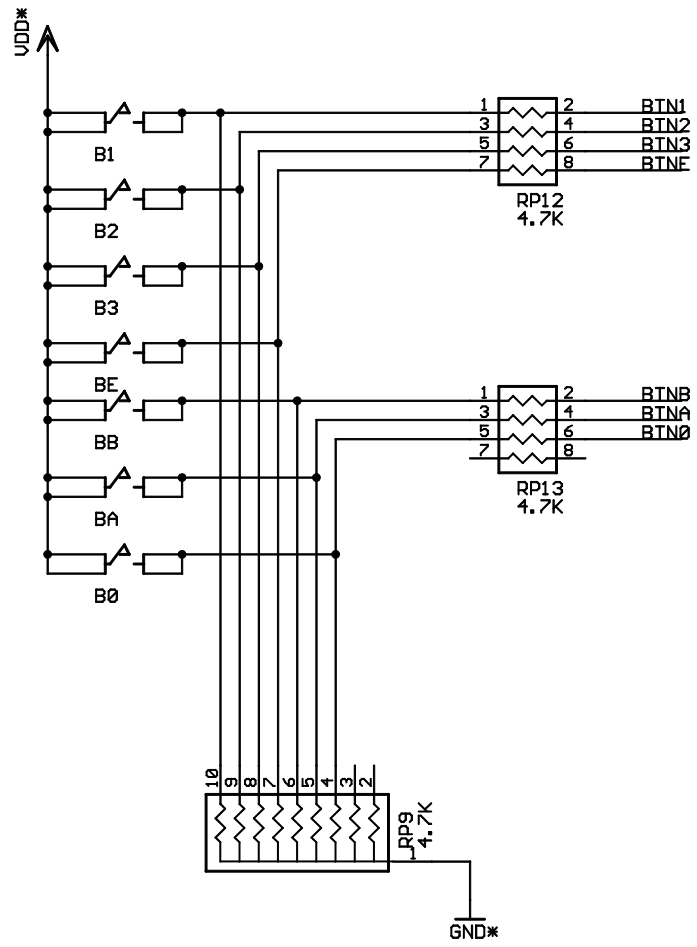
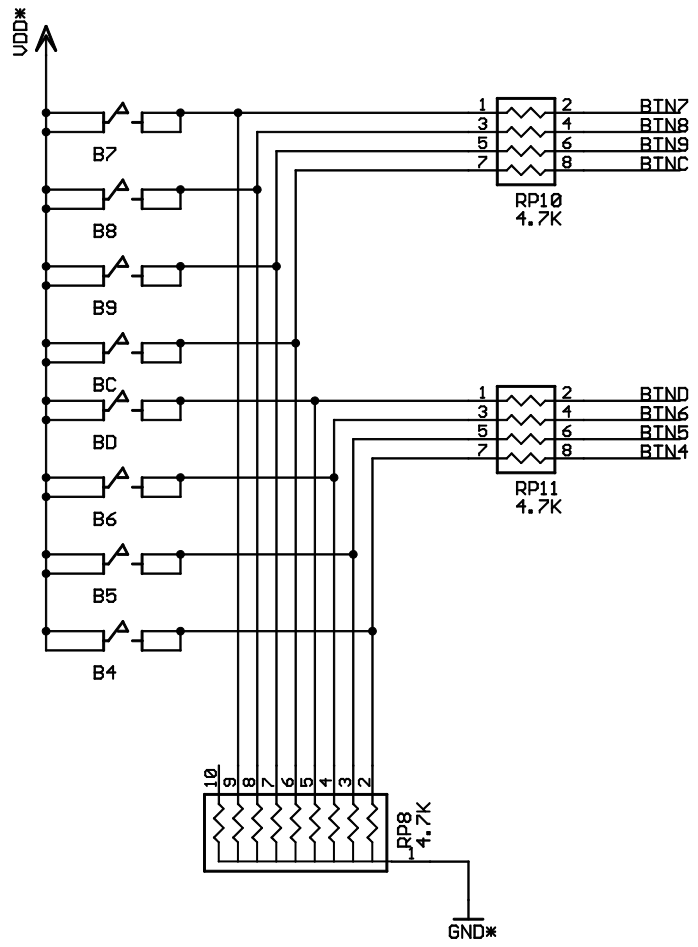
Release Date: 02/07/2002

Sheet: 3/5



Digilab Digital I/O II  
Copyright 2001, Digilent Inc.

TITLE: DlabDio2	Author: NEA
Document Number: PB-500-005	Rev: C
Release Date: 02/07/2002	Sheet: 4/5



Digilab Digital I/O II Copyright 2001, Digilent Inc.	
TITLE: DlabDio2	Author: NEA
Document Number: PB-500-005	Rev: C
Release Date: 02/07/2002	Sheet: 5/5